
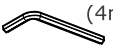
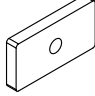
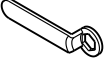
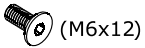
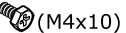
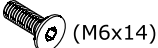



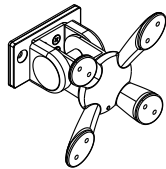


LCD Monitor Arm

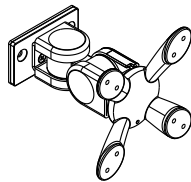
Part Check-List

1A		X2	3	 (4mm)	X1
1B		X2	4		X1
2A	 (M6x12)	X2	5	 (M4x10)	X4
2B	 (M6x14)	X2	6	 (M4x15)	X4
2C	 (M6x18)	X2	7		X4

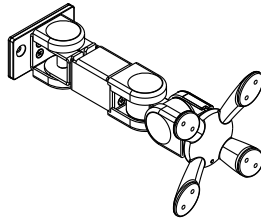
Assembly Guide



438-L16P



438-L17P



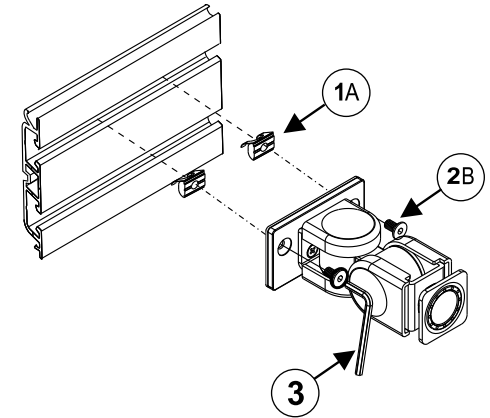
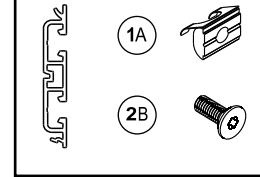
438-L18P

Caution:

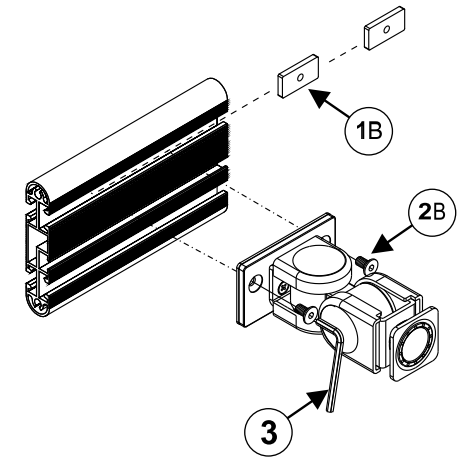
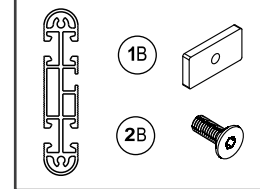
- Standard product fit VESA interface 75*75mm and 100*100mm,
- Before assembling, please check assembly guide thoroughly to avoid any mistake.
- LA-16PVE: Weight capacity for 1~6kg LCD monitors.
- LA-17PVE/LA-18PVE: Weight capacity for 1~8kg LCD monitors.
- Standard products include several small parts, keep out of children when assembling this product and prevent children from swallowing them.
- Do not put your fingers on the joint while moving the arm to prevent clipping.



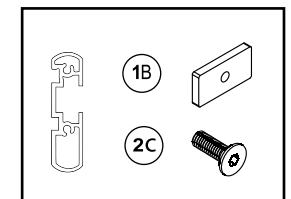
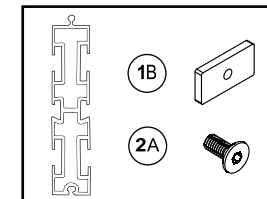
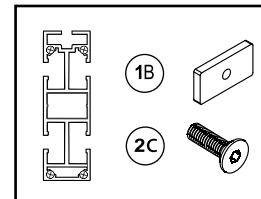
Conceptum M-Profile Rev. 3



Conceptum F-Profile



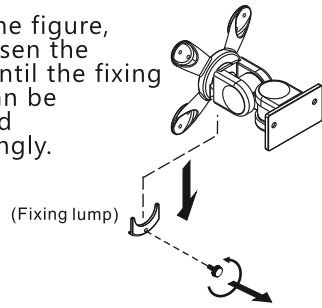
Other possible assemblies



Assembly Guide

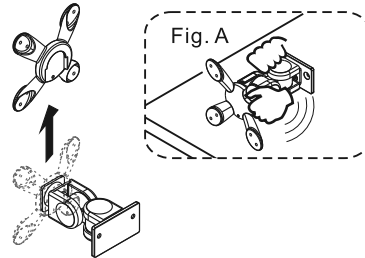
Step 1

Study the figure, and loosen the screw until the fixing lump can be removed accordingly.

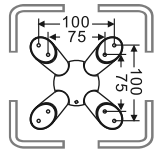


Step 2

Then, lift the VESA mount up. If it won't come off, one may remove it by swaying it back and forth lightly (as seen in Fig. A)

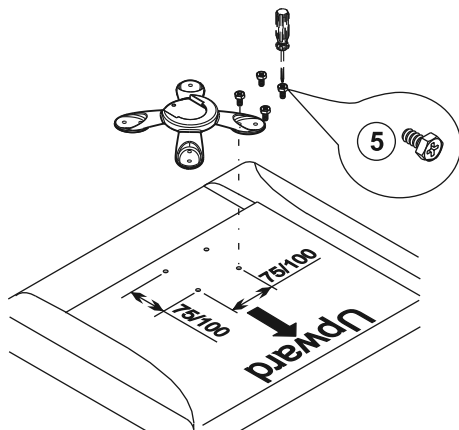


Step 3



75x75mm
100x100mm
VESA interface.

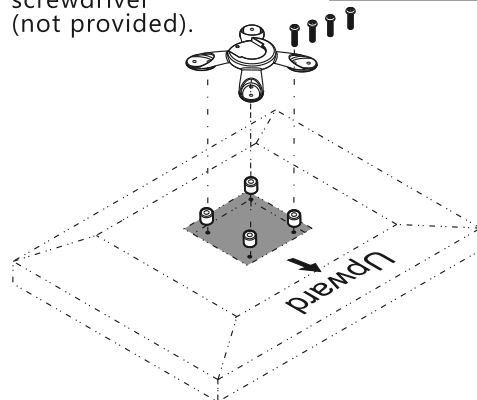
Place the monitor facing downwards on a flat surface. Locate the VESA slot on its back and mount the VESA. Align the screws to the corresponding holes and secure them together. Once secured, tighten them up with a screwdriver (not provided).



These screws are mainly for special monitors whereas the original screws are too short or the VESA mount won't fit the monitors VESA slot.

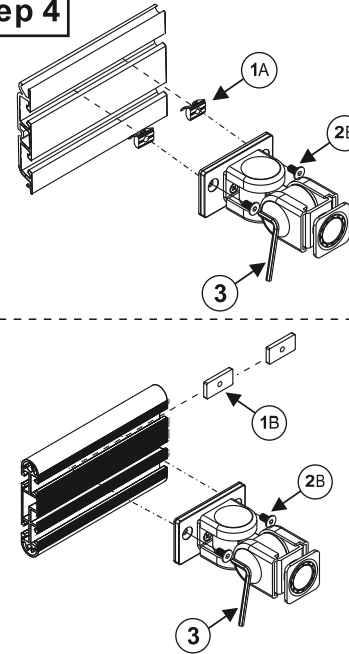


Before assembling, inspect the monitor to make sure whether there are grooves on the inside of the pitch. If yes, then place the monitor facing downwards on a flat surface. Locate the VESA slot on its back and mount the VESA. Align the screws to the corresponding holes and secure them together. Once secured, tighten them up with a screwdriver (not provided).



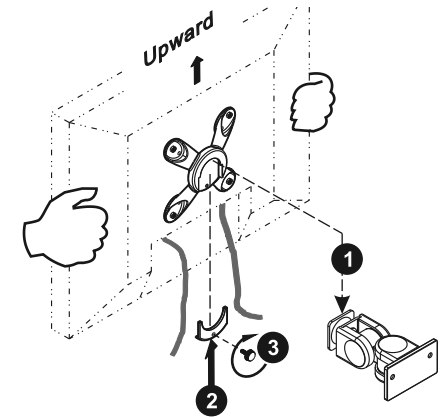
Assembly Guide

Step 4

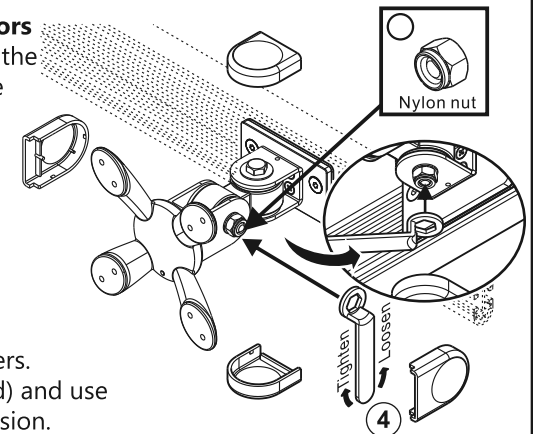


Step 5

Insert the VESA (with the mounted monitor in place) into the arm and slide it down all the way. Then, secure the fixing lump back to its position using its corresponding screw as seen in (1, 2 and 3).



When assembling the arm with monitors of differing weights, you may find that the tension of the universal joint needs to be adjusted to ease movement or to maintain the desired monitor position. If so, adjust as follows:



- Remove the plastic universal joint covers.
- Find the nylon nut (not the screw head) and use the included wrench to adjust the tension.
- Use one hand to support the monitor and adjust the tension of the universal joint.
 - Turning clockwise adds more tension
 - Turning counterclockwise lessens the tension
- When the desired tension is achieved, cover the nuts with the plastic covers.

Caution:

- Support the monitor during the adjustment procedure.
- Only adjust the nylon nut (not the screw head).
- Do not disassemble the universal joint.