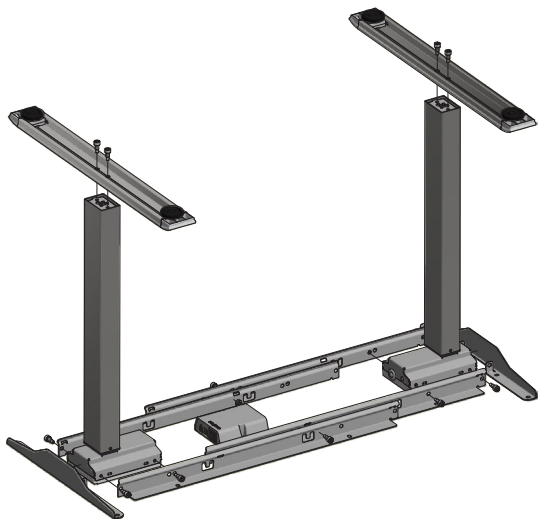


ASSEMBLY

Assembly Instruction

The steps which to follow to assemble the desk is illustrated in this section. Make sure to ask your desk vendor for an approved combination of desktop and frame.



L=730 mm

Tabletop:1000 mm



L=980 mm

Tabletop:1200 mm



L=1180 mm

Tabletop:1400 mm



L=1380 mm

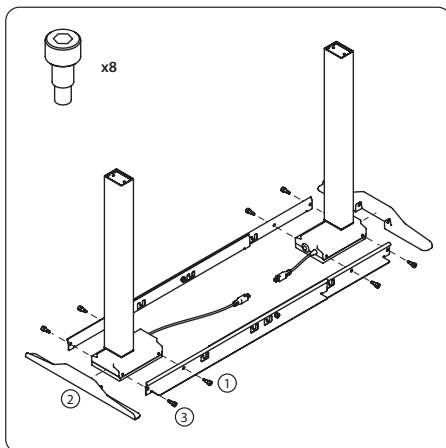
Tabletop:1600 mm

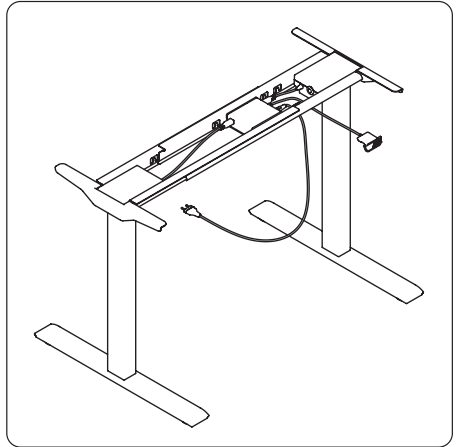
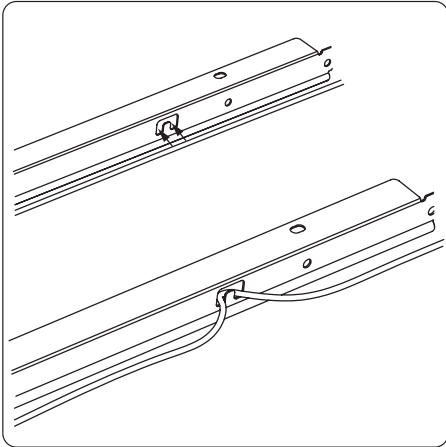
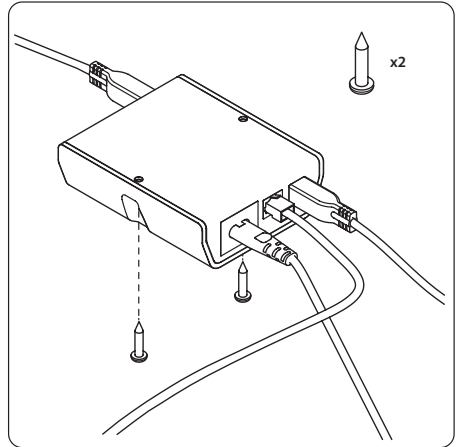
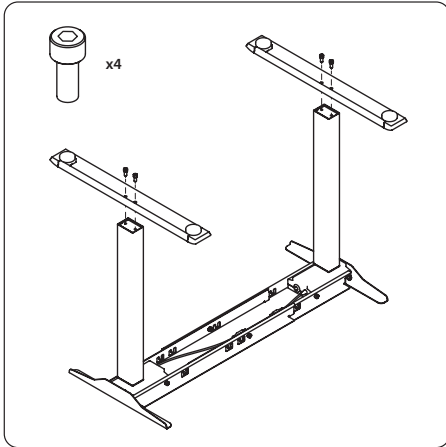


x2



x2





NOTICE

Make sure that the desk is leveled, using the adjusters, and placed on flat ground before usage.