


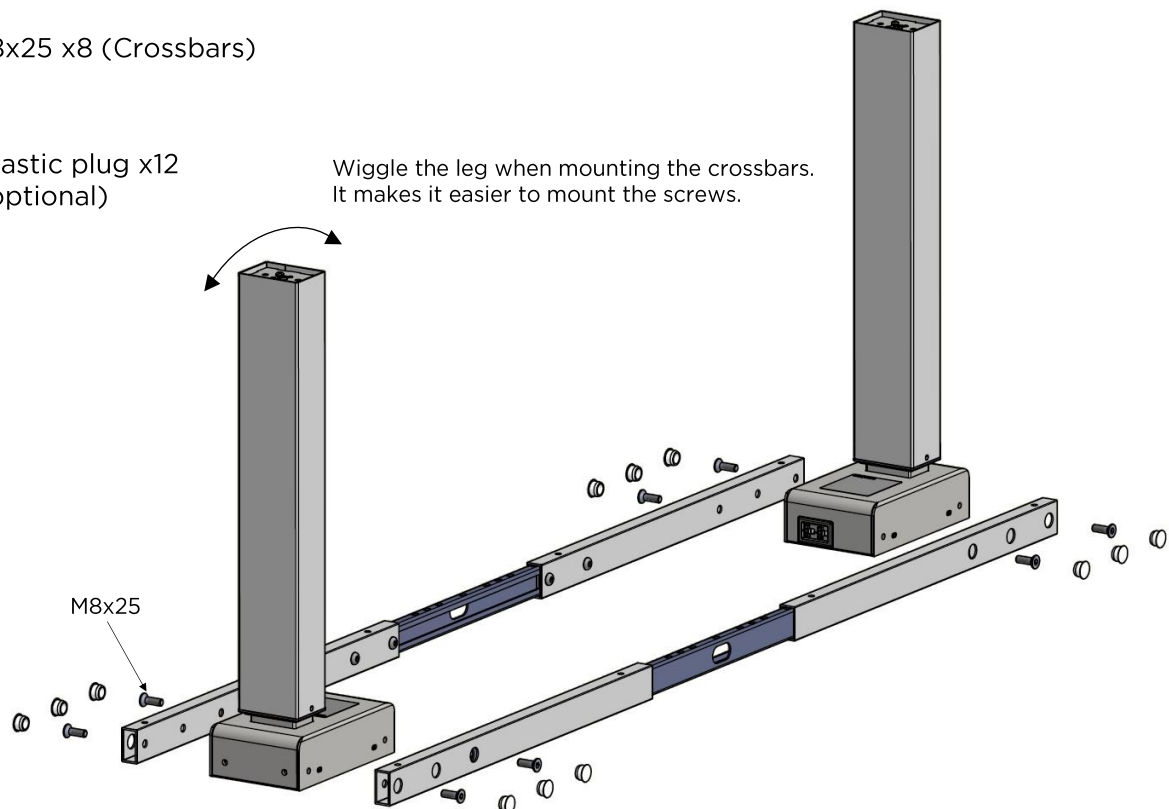
# ASSEMBLY INSTRUCTION FLUSH TABLE TOP EPI Ei

1


 M8x25 x8 (Crossbars)

 Plastic plug x12 (optional)

Wiggle the leg when mounting the crossbars. It makes it easier to mount the screws.

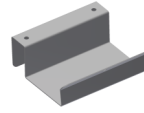


2

 M8x16 x4 (Feet)

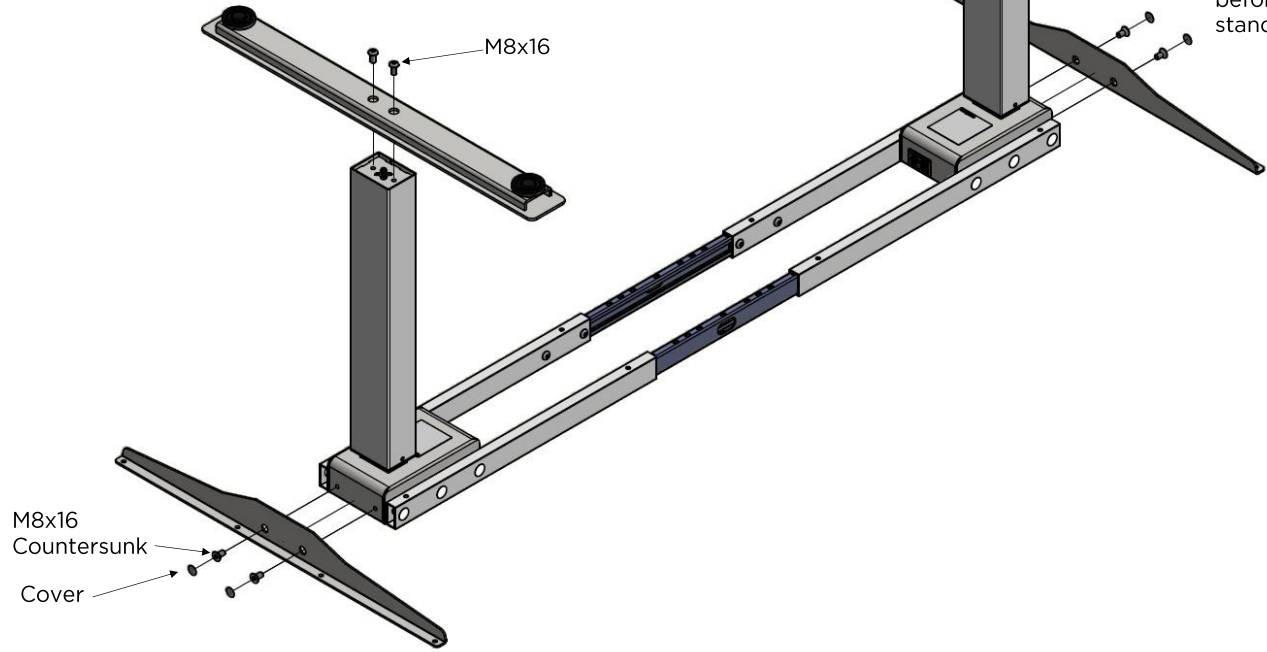
 M8x16 x4 (Sidebars, countersunk)

 Cover for screw M8x16 x4 (Sidebars)



Optional power supply holder.

Hook the holder on the crossbar before fixing the stand to the top.



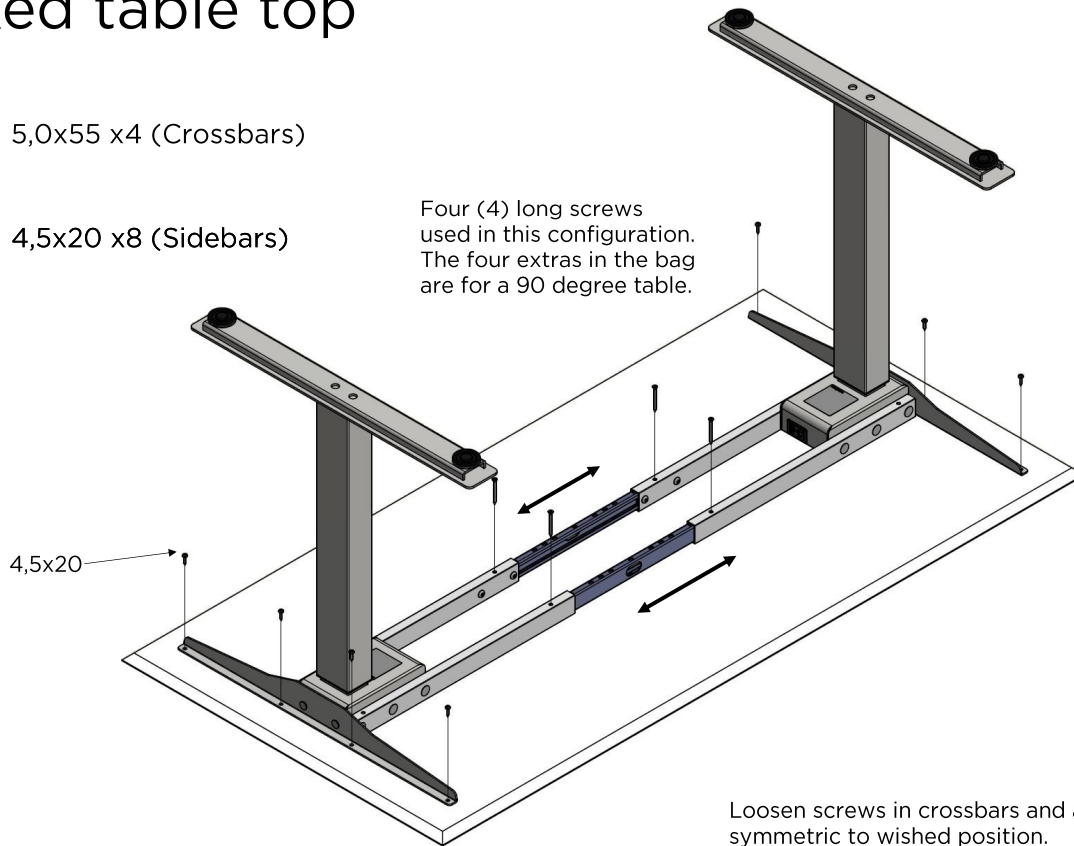
## Fixed table top



5,0x55 x4 (Crossbars)

4,5x20 x8 (Sidebars)

Four (4) long screws used in this configuration. The four extras in the bag are for a 90 degree table.



Loosen screws in crossbars and adjust stand width symmetric to wished position.  
Observe: Screws are for desktops 20 mm or thicker.

## Silent table top



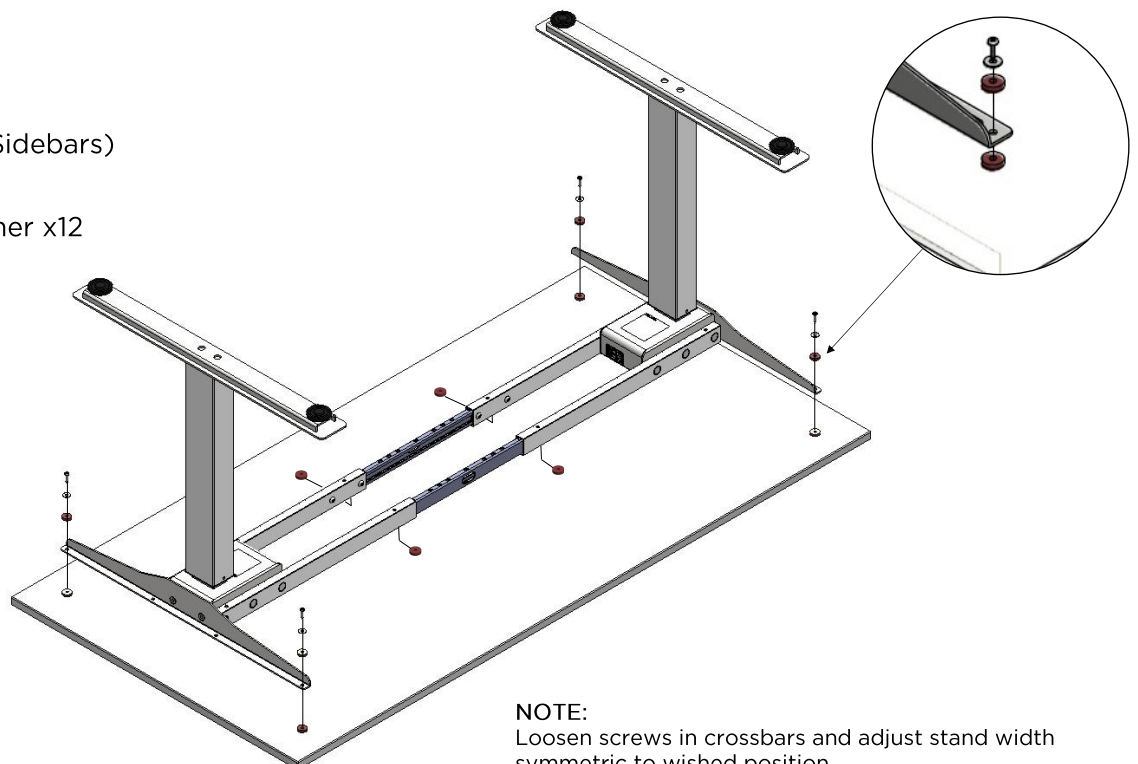
5,0x25 x4 (Sidebars)



Silence washer x12



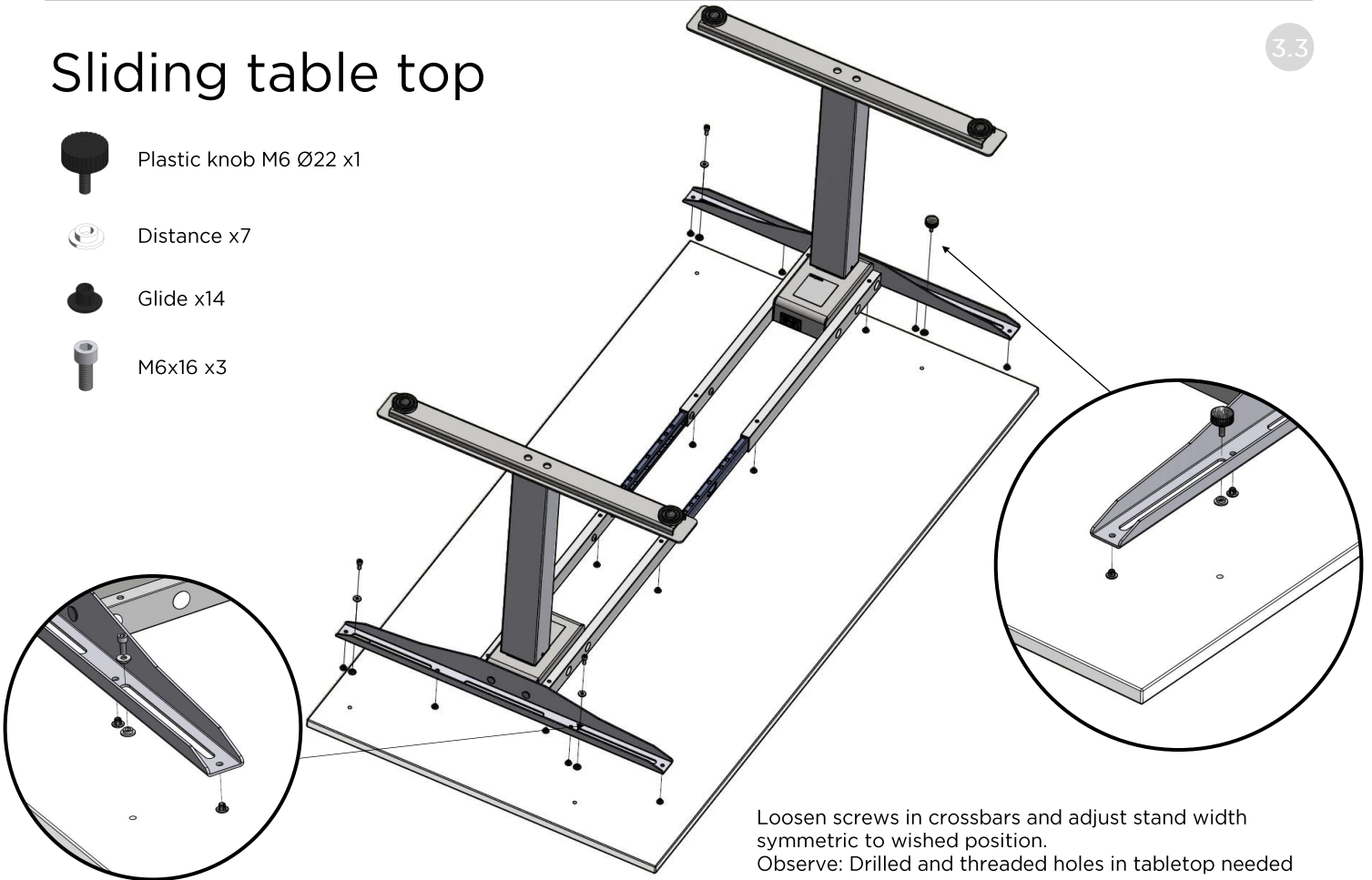
Washer x4



**NOTE:**  
Loosen screws in crossbars and adjust stand width symmetric to wished position.  
Observe: Screws are for desktops 20 mm or thicker.

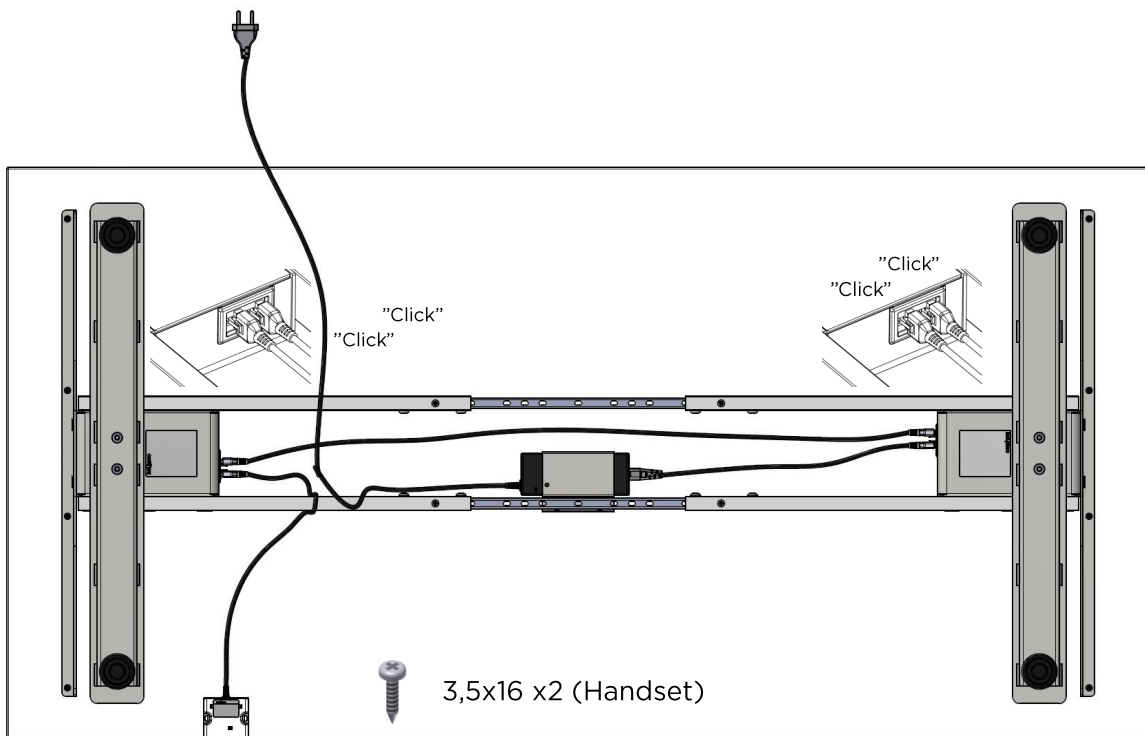
# Sliding table top

-  Plastic knob M6 Ø22 x1
-  Distance x7
-  Glide x14
-  M6x16 x3



Loosen screws in crossbars and adjust stand width symmetric to wished position.  
Observe: Drilled and threaded holes in tabletop needed

## Structure excess cabling under the table top



Turn the table around to standing position and plug the cable in.

Ready to use!

