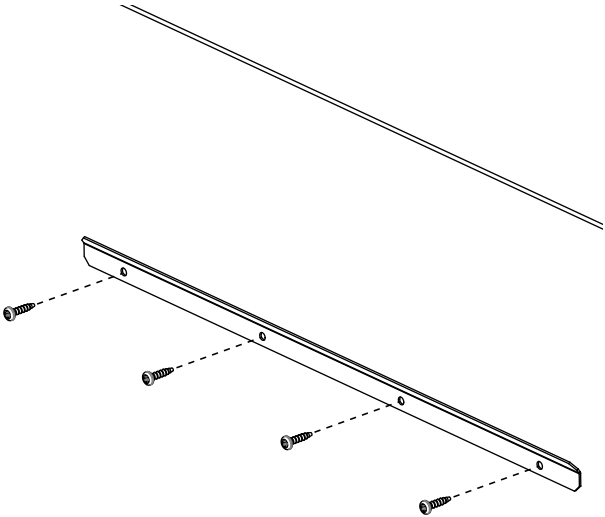
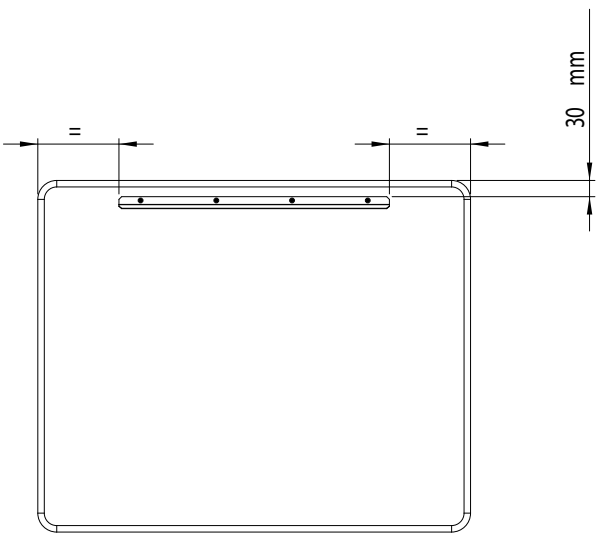


1



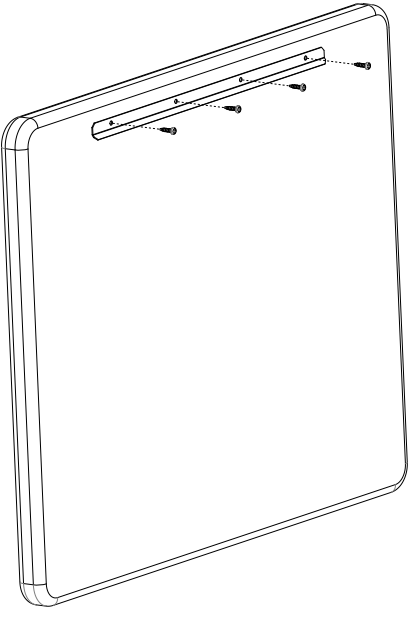
Screw up one rail on the wall.  
Screw not included.

2



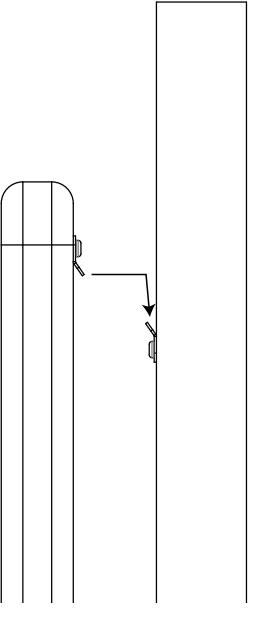
Measure where the second rail must be on the Memoboard.

3



Screw the rail to the Memoboard with supplied screws.

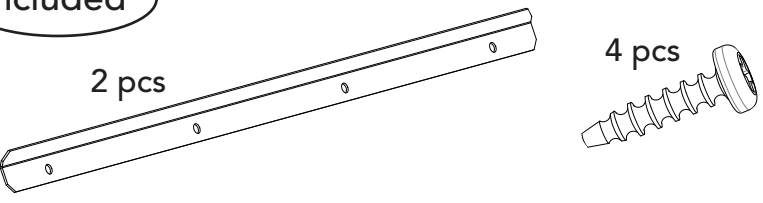
4



Hang up the Memoboard.

Included

2 pcs



4 pcs